



www.shoremaster.com

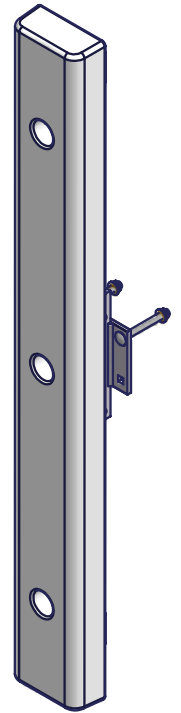
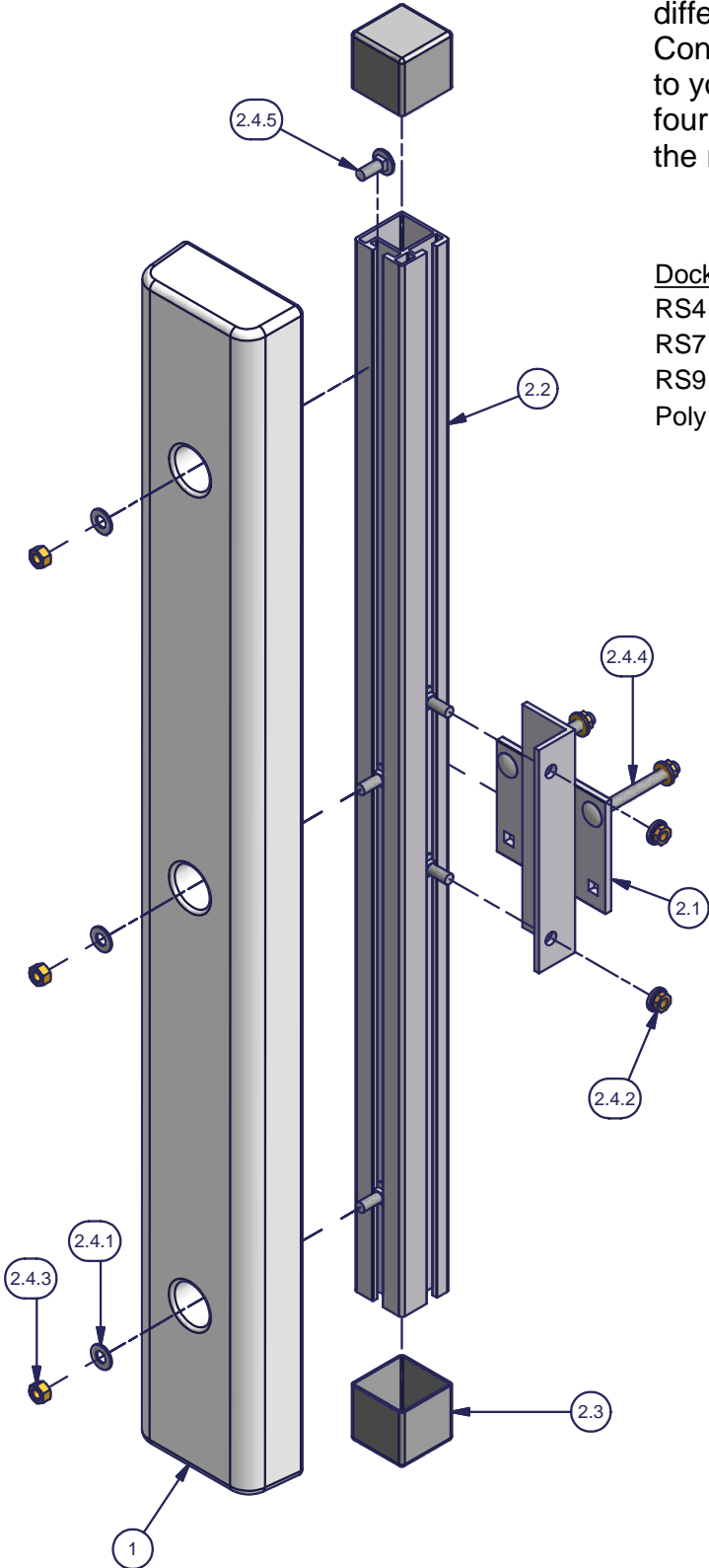
Part # 1006690, 1006691, 1006692, 1006693

QC Vertical Roto Bumper - Complete

Note: QC Vertical Dock Bumper will be attached to one of four different type of Accessory Dock Connectors in order to be attached to your dock. Below is a list of the four different types of docks and the required bracket.

Dock Type	Bracket Part Number
RS4 Dock	1006706
RS7 Dock	1006708
RS9 Dock	1006730
Poly Dock	1006608

Note: In order to attach vertical dock bumper to a dock not listed above use two 3/8" x 3-1/2" carriage bolts and two 3/8" flange nuts (provided).



QC Vertical Dock Bumper - Tan Parts List P/N: 1006692			
ITEM	QTY	PART NUMBER	DESCRIPTION
1	1	1004256	Poly Vertical Roto Bumper Tan
2	1	1004265	QC Vertical Bumper Bracket w/Bolt Bag

QC Vertical Dock Bumper - Blue Parts List P/N: 1006691			
ITEM	QTY	PART NUMBER	DESCRIPTION
1	1	1004255	POLY VERTICAL ROTO BUMPER BLUE
2	1	1004265	QC Vertical Bumper Bracket w/Bolt Bag

QC Vertical Dock Bumper - Black Parts List P/N: 1006690			
ITEM	QTY	PART NUMBER	DESCRIPTION
1	1	1004257	POLY VERTICAL ROTO BUMPER BLACK
2	1	1004265	QC Vertical Bumper Bracket w/Bolt Bag

QC Vertical Dock Bumper - White Parts List P/N 1006693			
ITEM	QTY	PART NUMBER	DESCRIPTION
1	1	1004254	Poly Vertical Roto Bumper White
2	1	1004265	QC Vertical Bumper Bracket w/Bolt Bag
2.1	1	1003790	QC Vertical Bumper Bracket Weldment
2.2	1	1003119	Slider Leg 37.75" Vert. Roto Bumper
2.3	2	1000868	Gray Cap 2 X 2 X 2
2.4	1	1004433	Bolt Bag Qc Vertical Bumper Bracket
2.4.1	3	1002599	Washer Flat 3/8 SS
2.4.2	4	1001802	Nut Flange 3/8-16 Brass
2.4.3	3	1001805	Nut Nyloc 3/8-16 Brass
2.4.4	2	1001962	Bolt Carriage 3/8-16 x 3.5 SS 304
2.4.5	5	1001956	Bolt Carriage 3/8-16 x 1.0 SS 304