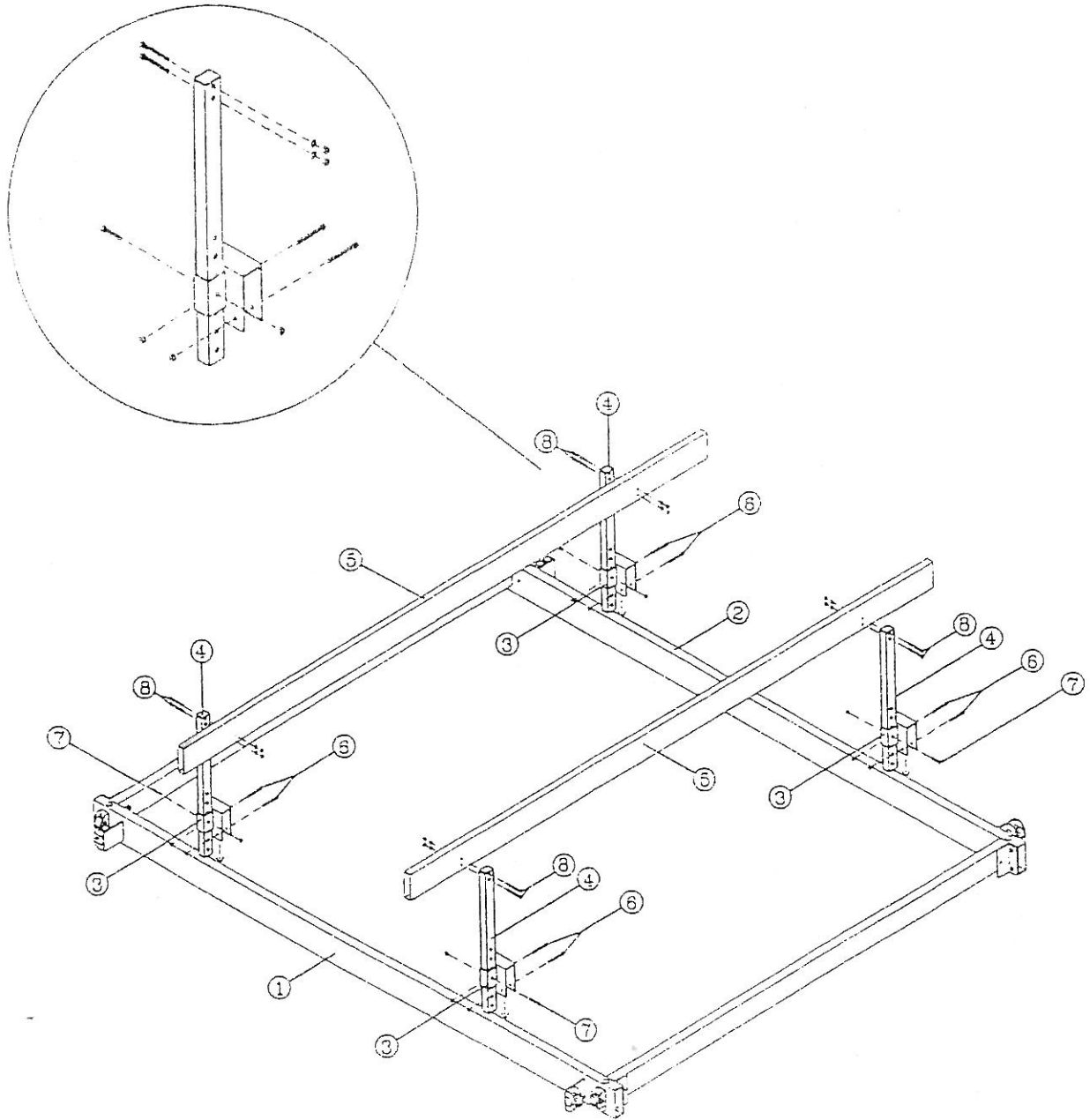


PONTOON GUIDE BRACKET STRIGHT RACK



1. FRONT RACK BEAM
2. REAR RACK BEAM
3. ADJUSTABLE CRADLE POCKET (4)
4. 30" PONTOON GUIDE LEG (4)
5. BUNK PLANK (NOT INCLUDED)
6. 3/8" X 3" MACHINE BOLT (1), 3/8" FLANGE NUT (1), (8 PLACES)
7. 3/8" X 2-1/4" MACHINE BOLT (1), 3/8" NUT (1), (4 PLACES)
8. 3/8" X 3-1/2" CARRIAGE BOLT (1), 3/8" WASHER (1), 3/8" NUT (1), (8 PLACES)