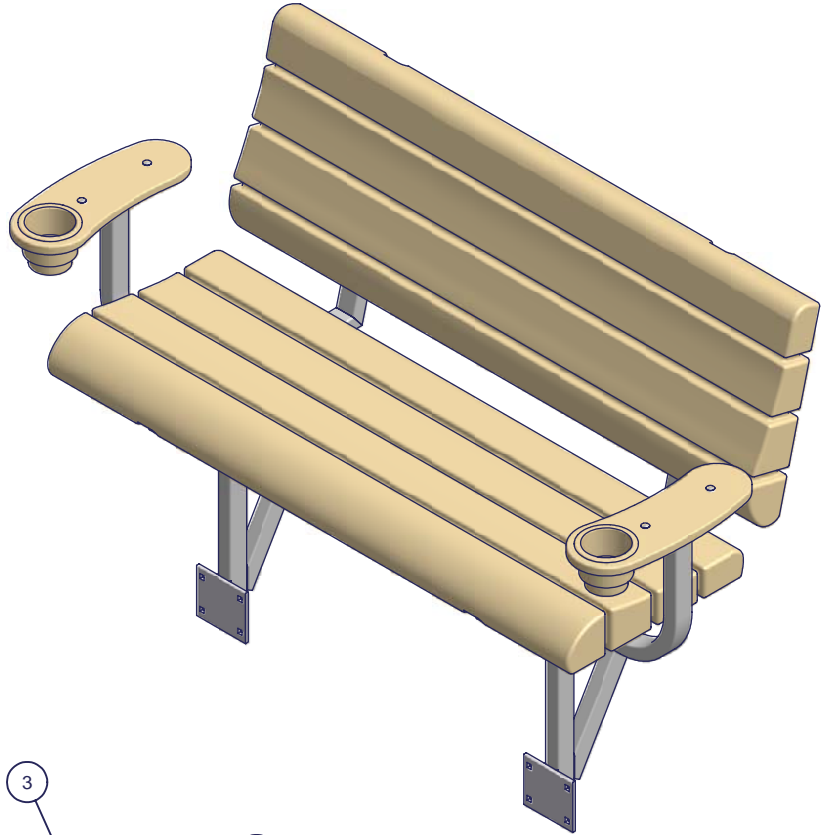


Accessory Armrest Lakeview Bench Tan (pair)

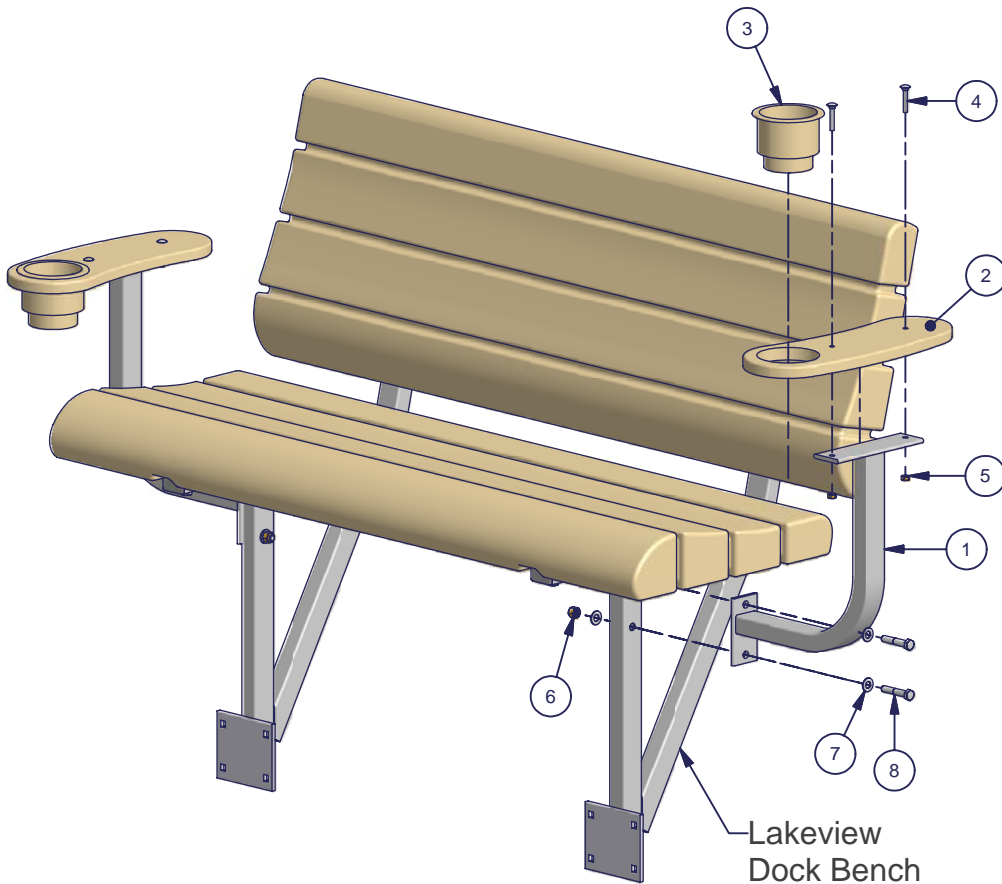
Step 1. Attach armrest bent arms to dock bench frame as shown using 3/8" x 2" hex bolts, 3/8" washers and 3/8" nyloc nuts.

Step 2. Attach armrest tan poly to armrest bent arm using 1/4" x 1-1/2" carriage bolts and 1/4" hex nuts. Note: Make sure to position armrest tan poly correctly, as shown in detail-A.

Step 3. Insert cupholder into hole in armrest tan poly.



Detail-A



Lakeview Dock Bench

Parts List			
ITEM	QTY	PART NUMBER	DESCRIPTION
1	2	1007897	Armrest Bent Arm
2	2	1003224	Armrest Tan Poly
3	2	1001767	Cupholder
--	1	1007893	Bolt Bag Armrest Lakeview Bench
4	4	1001952	1/4" X 1-1/2" Carriage Bolt
5	4	1001797	1/4" Hex Nut
6	4	1001805	3/8" Nyloc Nut
7	8	1002599	3/8" Washer
8	4	1002424	3/8" X 2" Hex Bolt