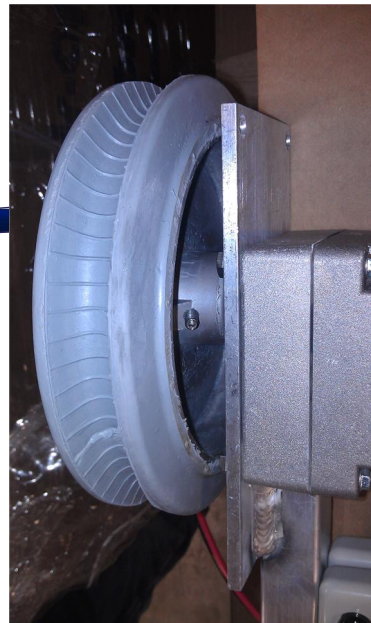
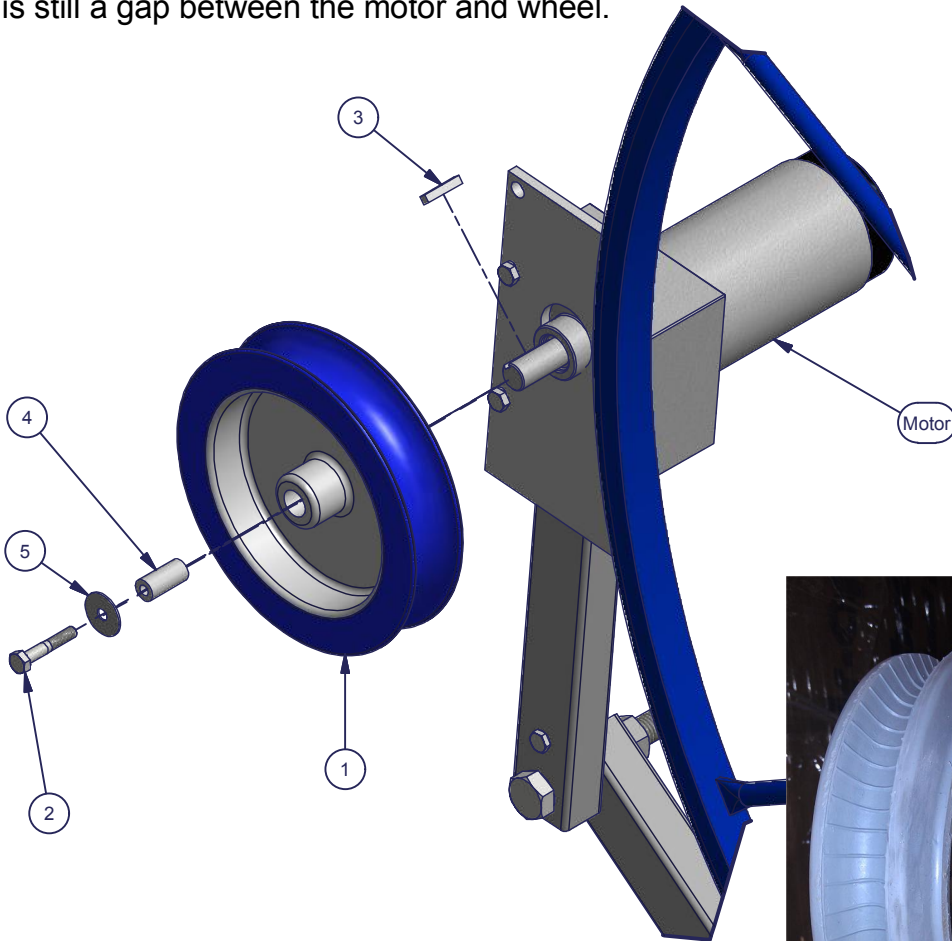
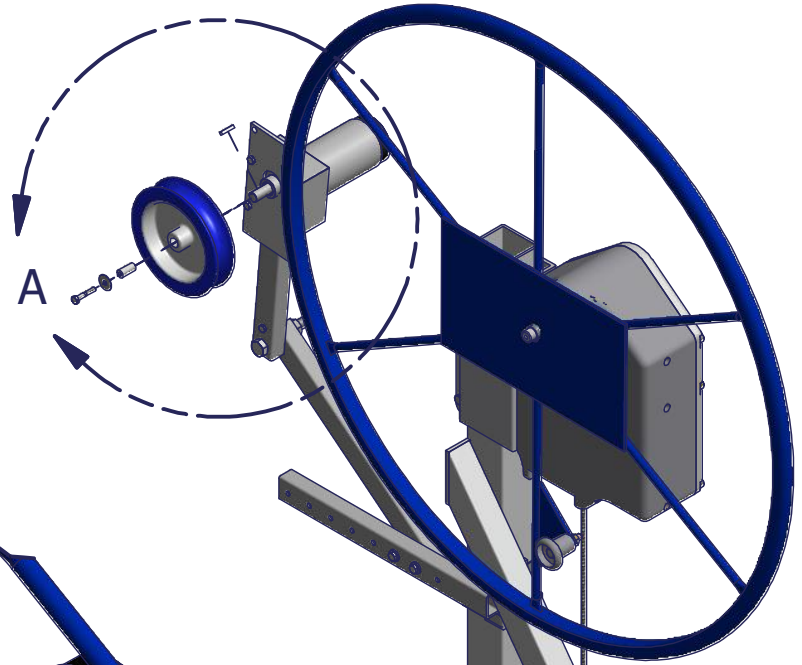


# Part # 1014479

## Rubber Wheel w/ Key 8.0



- Step 1: Place gear key (3) into groove in motor.
- Step 2: Slide wheel (1) onto shaft on motor, make sure to line up groove on wheel so it lines up with gear key (3) also make sure set screw on the back of the wheel is facing towards the motor.
- Step 3: Insert round spacer (4) into the front of the wheel.
- Step 4: Thread 1/4 x 1.75 (2) bolt with fender washer (5) into end of motor. Make sure there is a gap between the motor and the wheel.
- Step 5: Hold wheel out away from the motor making sure there is about a 1/16" gap and tighten the set screw on the backside of the wheel.
- Step 6: Tighten the 1/4 x 1.75 bolt against motor, make sure not to overtighten and make sure there is still a gap between the motor and wheel.



Wheel set screw

Parts List			
ITEM	QTY	PART NUMBER	DESCRIPTION
1	1	1014474	Rubber Wheel 8.0
2	1	1014210	Bolt Hex 1/4-20 x 1.75 SS 304 (re-use existing)
3	1	1014554	Gear Key .188x.188x1
4	1	1025048	Spacer Round .5 OD x 1.0625 Long x .252 ID - Alum
5	1	1025049	Washer Fender 1/4 x 1 OD - 304 SS