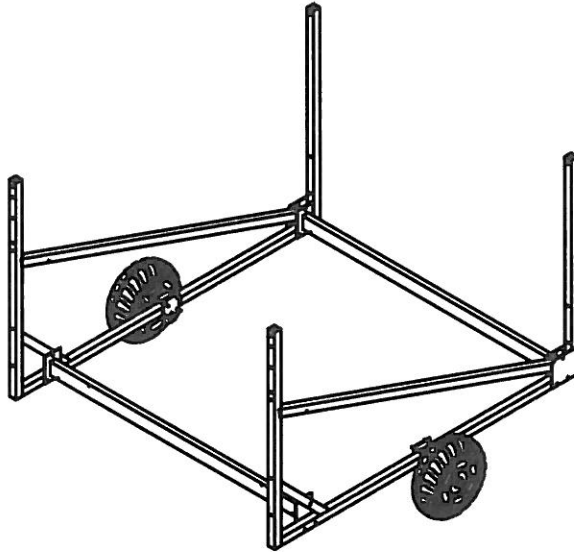


## UNIVERSAL WHEEL CADDY INSTRUCTIONS

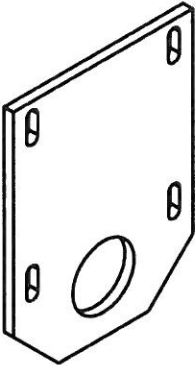


### CAUTION – PUT SAFETY FIRST

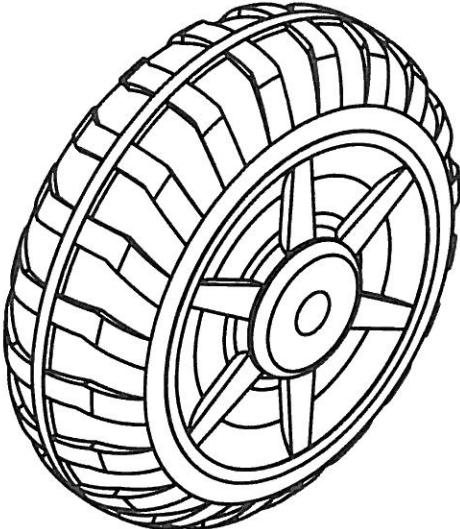
1. Before attempting to install or use this product, study and fully understand the proper installation method and safety precautions outlined in this owner's manual.
2. The BOAT MUST BE REMOVED from the lift prior to installing the Universal Wheel Caddy.
3. After moving the lift into place, the lift legs should be lowered so that the weight of the boat is resting on the foot pads, NOT the Poly Tires.
4. Never attempt to move the lift with the boat on the lift.
5. Prior to each use, check to ensure hardware and Poly Tires remain securely fastened.
6. NOT COMPLYING WITH THE PROCEDURES AND PRECAUTIONS OUTLINED IN THIS MANUAL WILL INVALIDATE THE WARRANTY AND MAY RESULT IN PERSONAL INJURY OR DEATH.
7. If you have any question about assembly, installation, use or suitability of this product, contact an authorized dealer or go to [www.shoreline-ind.com](http://www.shoreline-ind.com).

Check that all components are present before you begin assembly. Do not assemble, use or install this product if items are missing or damaged.

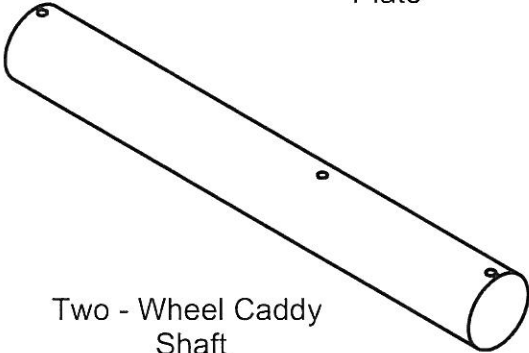
### Wheel Caddy Parts



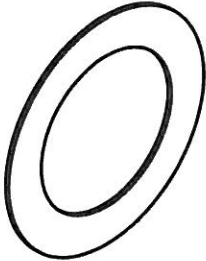
Four - Wheel Caddy Plate



Two - Poly Tire



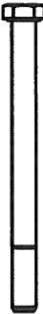
Two - Wheel Caddy Shaft



Four - 2" Washers



Six - Cotter Pins



Eight - 3/8" x 4-1/2" Full Thread Bolts



Sixteen - 3/8" Washers



Eight - Ny Loc Nuts

# ASSEMBLY INSTRUCTIONS

Your safety is the most important issue related to this product.

- Fully read and understand each step before proceeding with that step
- Wear protective gloves, clothing and eyewear when assembling and installing the product
- Do not assemble, install or use this product if items are missing or damaged.

Shoreline recommends initial assembly and installation by trained personnel or an authorized Shoreline dealer. Contact your dealer for more information.

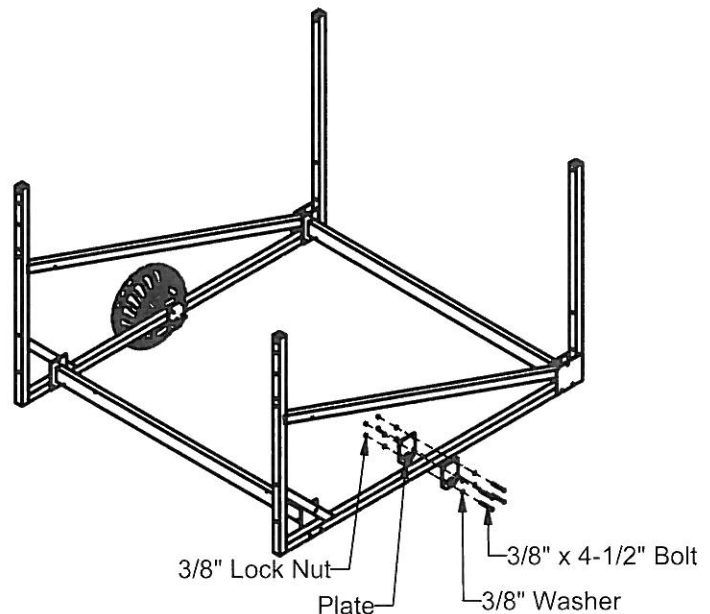
---

For ease of assembly, find a flat area with plenty of room to install this product. The following tools will be needed to install the Universal Wheel Caddy:

1. Pair of 3/8" wrenches
2. Needle Nose Pliers (for cotter pins)

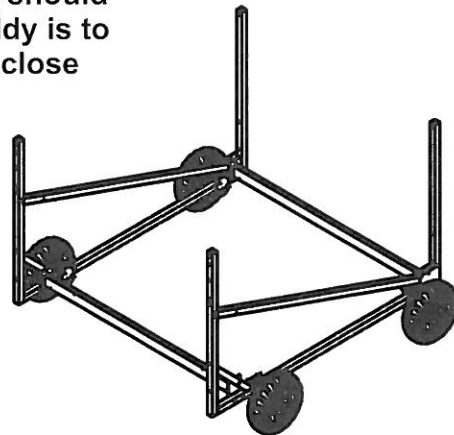
## Step 1 - Attach Plates

Attach the plates to the side bottom beam. Fasten using: one 3/8" x 4-1/2" threaded bolt, two 3/8" washers, one 3/8" lock nuts (four places per side).



**Note: If Wheel Caddy is to be installed as set of two, it should be centered on the lift. Attach as shown. If Wheel Caddy is to be installed as set of four, each should be secured as close to corner of lift as possible.**

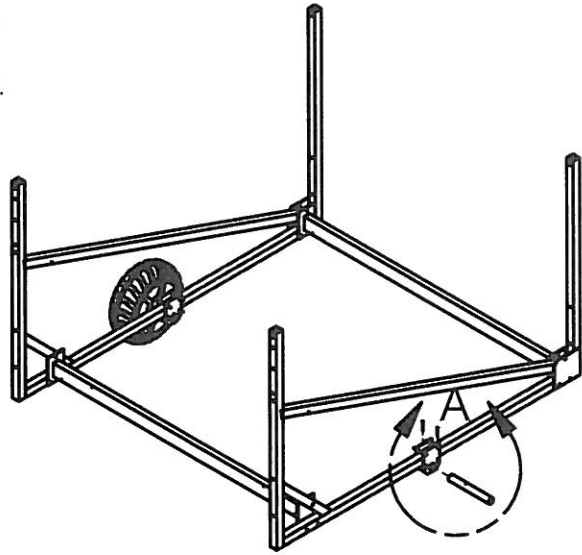
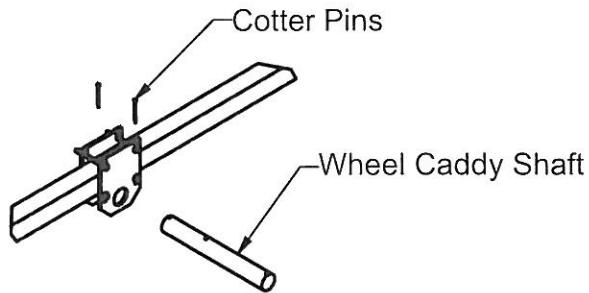
Shown as set of four.



## Step 2 - Insert Shaft

Insert Wheel Caddy shaft through holes in plates. secure by inserting one cotter pin into the holes of the shaft on each side of the plates (as shown). Finish by slightly bending the tip of the cotter pin.

Note: Use the two holes closest to each other. Shaft should be positioned to the outside of the lift.



## Step 3 - Mount Tires

- Place 2" washer on Wheel Caddy Shaft.
  - Slide Poly Tire onto Wheel Caddy Shaft.
  - Place 2" washer on Wheel Caddy Shaft.
  - Secure Poly Tire in place by inserting one cotter pin into the hole at the end of the shaft. Finish by slightly bending the tip of the cotter pin.
- (assemble as shown)

