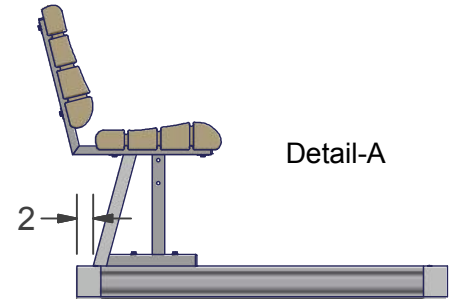
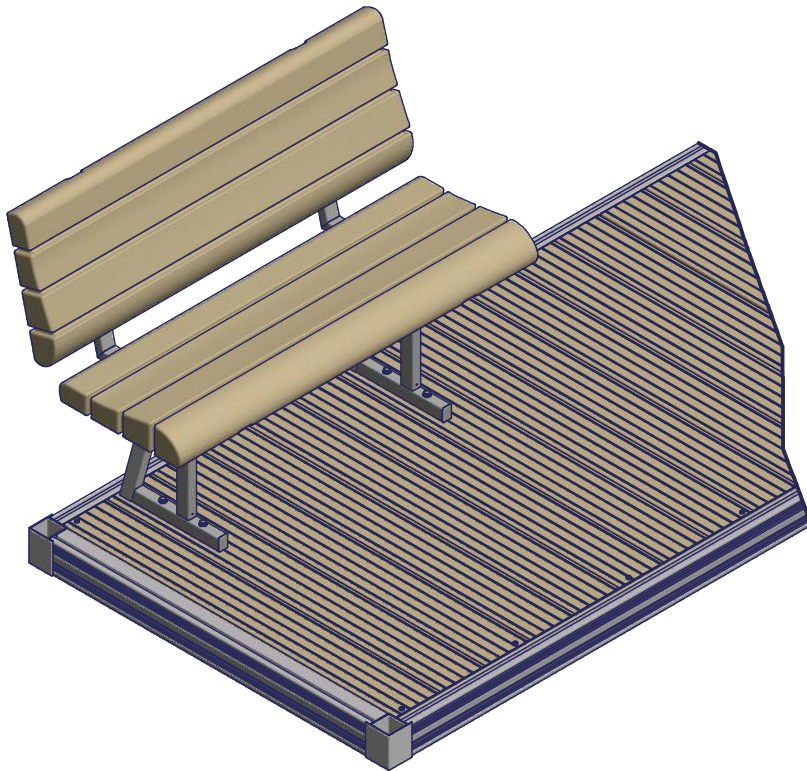


Part # 1023002

Accessory LakeView Rhino Bench On-Deck Tan



Step 1. Attach bench planks to on-deck bench frames using 3/8" fender washers and 3/8" x 2" hex bolts. Do not over tighten bolts. **Note:** Make sure to attach bench planks in the proper orientation as shown in detail-A.

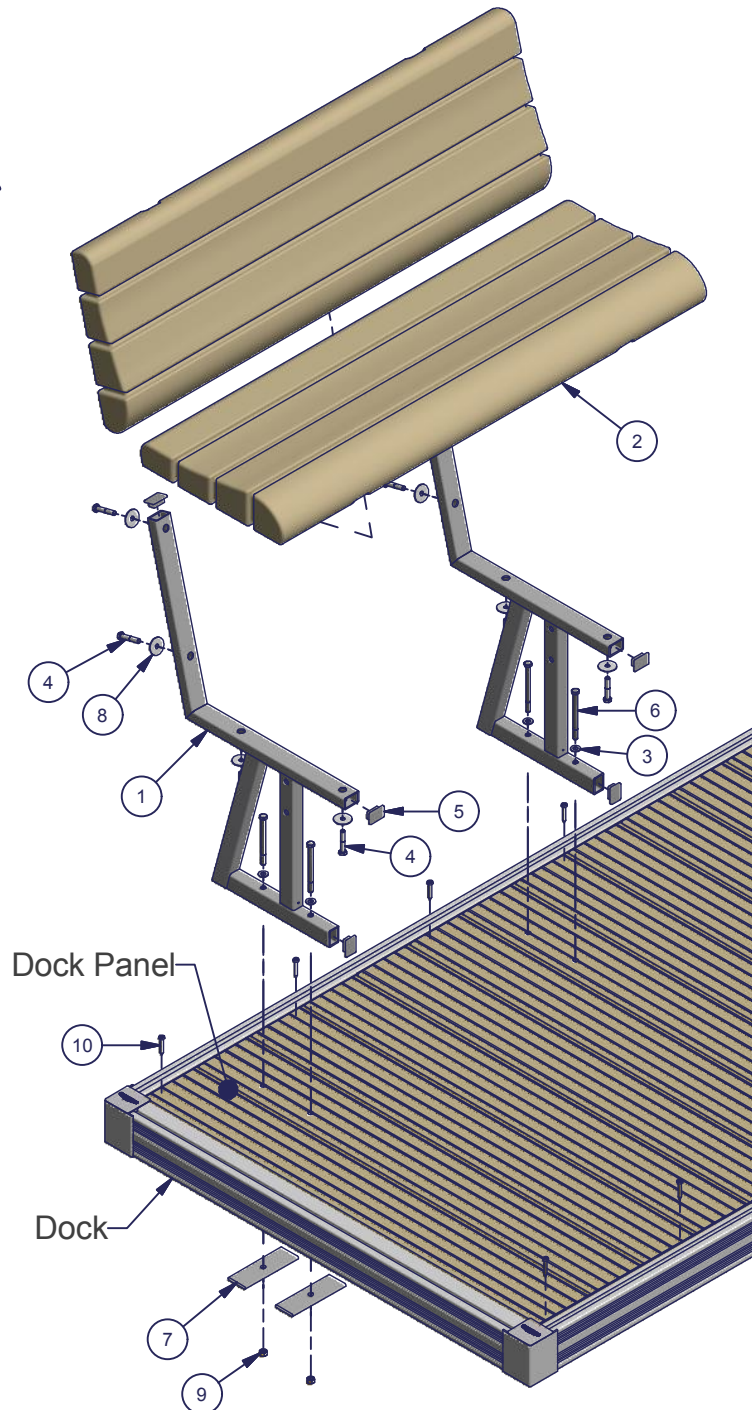
Step 2. Insert plastic push-in caps into on-deck bench frames as shown.

Step 3. Set bench on dock in desired position (2" from edge of dock, as shown in detail-A) and mark the four mounting hole locations on the dock panel. Inspect underside of dock panel to make sure you do not hit the dock frame or other obstructions. Drill holes through dock panel using a 7/16" drill bit.

Step 4. Secure dock bench to dock panel using 3/8" x 4-1/2" hex bolts, 3/8" washers, backer plates and 3/8" nylock nuts.

Step 5. Secure dock panel to dock using 1/4" x 1-3/4" phillips pan wood screws.

Note: Failure to secure dock panel to dock could result in causing bodily injury or possible death.



Parts List				
ITEM	QTY	PART NUMBER	DESCRIPTION	
1	2	1013080	Weldment Lakeview Bench Frame On-Deck	
2	2	1022999	Prt Bench Plank Poly 3.5x16.35x48.0 Tan	
--	1	1013084	Bolt Bag Lakeview On-Deck Bench	
3	4	1002599	Washer Flat 3/8 SS	
4	8	1002424	Bolt Hex 3/8-16 x 2.0 SS 304	
5	6	1000986	Cap Press-In 1.125 x 1.625 Silver W/Logo	
6	4	1002442	Bolt Hex 3/8-16 x 4.5 Full Thread SS 304	
7	4	1004624	Alum Plate 1/4" x 2" x 6" With 7/16" Hole	
8	8	1002601	Washer Fender 3/8 x 1.5 SS	
9	4	1001805	Nut Nyloc 3/8-16 Brass	
10	8	1002576	Screw Pan Phil 1/4 x 1.75 T/A SS	